

# Case Former

## CF5- Semi Automatic

### Case Forming for the Real World

This former is perfect for use with your existing case sealers.



Little David delivers packaging equipment that works for you

#### The CF5 offers:

- ▣ PLC driven
- ▣ Slide and lock legs
- ▣ Large box range
- ▣ No lubrication required
- ▣ Ergonomic design
- ▣ Heavy duty steel construction
- ▣ Works with virtually any sealer

#### The CF5 replaces:

- ▣ Air logic driven box formers
- ▣ Expensive labor
- ▣ Hand erecting boxes

Little David CF5

**LITTLE DAVID**

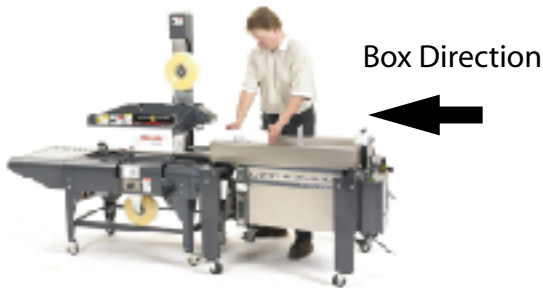
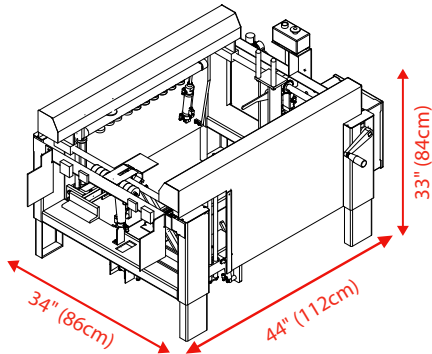


[www.loveshaw.com](http://www.loveshaw.com)

# CF5

## Dimensions:

### CF5 Semi-Automatic



## Additional Case Former Models:

### Also Available: SP-304

- 10 cases/min depending on operator dexterity
- Case Dimensions:
  - Length: 6" - 24"  
(152mm - 610mm)
  - Width: 4.5" - 20"  
(114mm - 508mm)
  - Height: 4.5" - 24"  
(114mm - 610mm)



### Also Available: CF-20T

- 6 cases/min
- Case Dimensions:
  - Length: 6" - 16"  
(152mm - 406mm)
  - Width: 6" - 12"  
(152mm - 305mm)
  - Height: 4" - 12"  
(105mm - 305mm)



## Specifications of the CF5:

### Power Requirements:

- 110 VAC, 60Hz, single phase, 2 Amps
- Note: Other voltages available. Contact Loveshaw for details.

### Air Requirements:

- 6.5 SCFM

### Production Rate:

- Up to 6 cases per minute, depending on operator dexterity

### Case Dimensions:

Length:	8" - 25" □	203mm - 635mm
Width:	5.5" - 20" □	140mm - 508mm
Height:	3.5" - infinite	89mm - infinite

## Features of the CF5:

- Plug in operation
- Minimal operator training required
- Alleviates twisting motion known to cause carpal tunnel syndrome
- Slide and lock legs
- PLC driven
- No lubrication required

## Options of the CF5

- □ Spare parts kit
- □ Special electrics
- □ Custom color
- □ Casters

Distributor Information:

**LOVESHAW**  
an ITW Company

**LOVESHAW Europe**  
A Division of ITW Ltd.

